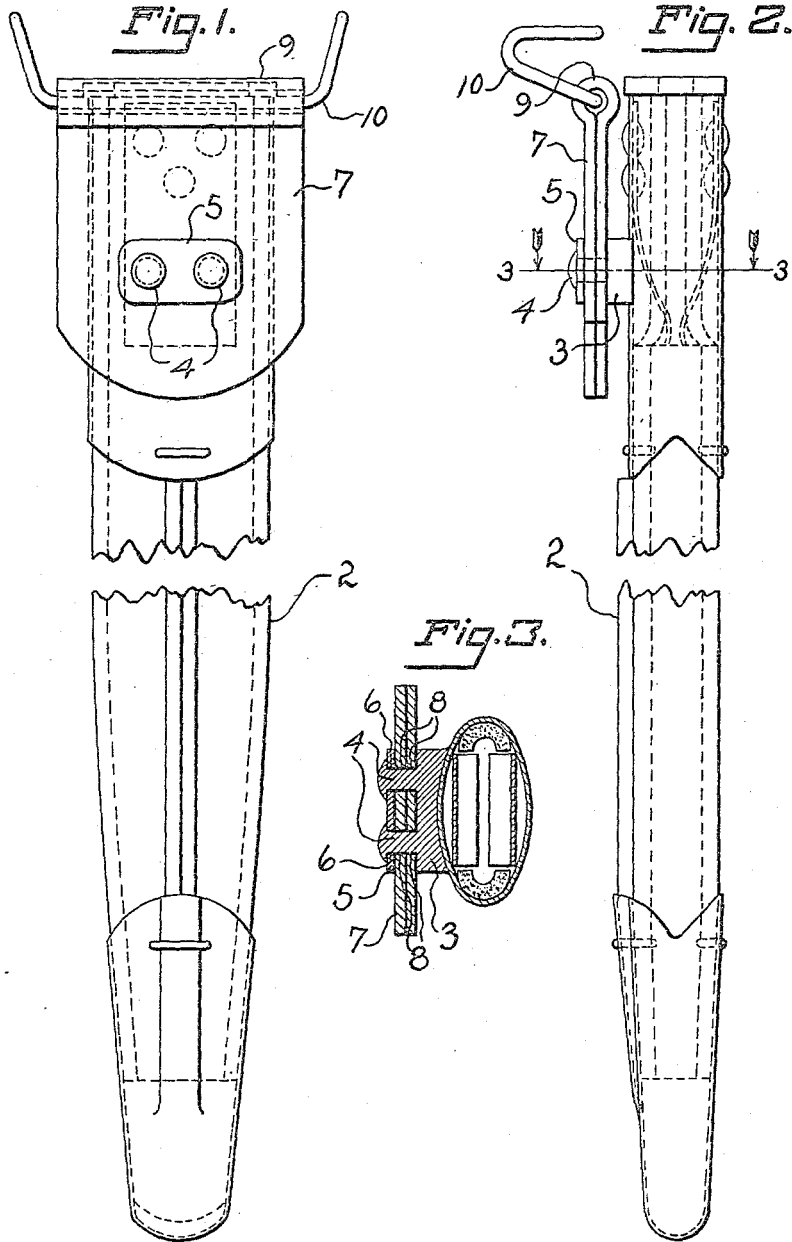


H. P. MAXIM,
SCABBARD.
APPLICATION FILED JUNE 20, 1917.

1,276,554.

Patented Aug. 20, 1918.



Inventor
Hiram Percy Maxim
BY Hutch Litchfield
Attorney

UNITED STATES PATENT OFFICE.

HIRAM PERCY MAXIM, OF HARTFORD, CONNECTICUT, ASSIGNOR TO THE MAXIM
SILENCER COMPANY, OF HARTFORD, CONNECTICUT, A CORPORATION OF CON-
NECTICUT.

SCABBARD.

1,276,554.

Specification of Letters Patent.

Patented Aug. 20, 1918.

Application filed June 20, 1917. Serial No. 175,762.

To all whom it may concern:

Be it known that I, HIRAM PERCY MAXIM, a citizen of the United States, residing at Hartford, in the county of Hartford and State of Connecticut, have invented certain new and useful Improvements in Scabbards, of which the following is a specification.

This invention relates to scabbards. Recently there has been a change in Federal equipment, the result being that it is exceedingly difficult, if not virtually impossible, to suspend a British scabbard from a United States belt. The fundamental purpose of the invention is the provision of means of a simple and effective character by which such a scabbard can be attached to the belt at present in use in this country and as easily separated, the invention more especially residing in the way in which the supporting hook is operatively associated with the scabbard, this hook being capable of detachable connection with the belt.

In the drawings accompanying and forming part of the present specification I have shown in detail a convenient form of embodiment of the invention which to enable those skilled in the art to practice the same will be set forth fully in the following description. Obviously I do not restrict myself to this particular disclosure; I may depart therefrom in several particulars within the scope of the invention defined by the claims following said description.

Referring to said drawings:

Figures 1 and 2 are longitudinal views of the scabbard as seen at practically right angles from each other.

Fig. 3 is a transverse section on the line 3—3 of Fig. 2.

Like characters refer to like parts throughout the several views.

The scabbard is denoted by 2, and its body may be of any desirable shape. That shown is practically the standard at present in use in Great Britain, being in the form of an elongated sleeve longitudinally tapering, open at one end and closed at the other. It may be of all metal or of composite form. From this as is inferred the scabbard may vary within reasonable limits.

A scabbard such as that concisely described is generally suspended from a belt, and as will be understood the present scabbard is not very well adapted for proper

connection with a United States belt, and my fundamental purpose is to obviate this obstacle and provide in a simple way for the ready connection and disconnection of the scabbard with such a belt or analogous part. The scabbard on one side externally thereof, and near the open end, is provided with a block 3. This block may be connected rigidly with the scabbard in any desirable manner. It may be brazed, riveted in place, or it can be spot welded. This block 3 as shown is furnished with projections, studs or rivets 4 spaced apart and extending from the outer flat face of the block or equivalent body 3. As illustrated the block is of rectangular form, and its inner surface is curved to conform to the external surface of the rear wall of the metallic upper part of the scabbard. The rivets 4 in the present case are integral with the block 3. From this as will be obvious, the block and the rivets can be easily manufactured; in fact I have obtained them properly by dropping or drop forging. After a part made up of the block and the projecting rivets is produced, it can be tumbled if necessary to remove any slight surface imperfections and thereafter the exposed surface of the block can be milled to smooth the same off around the bases of the two rivets. This block 3 presents in effect a relatively stationary member of a clamp, the movable clamping member being in the form of a washer as 5 which can be cut from sheet stock and which has perforations 6. These perforations are adapted to receive the rivets 4. The means by which the scabbard is suspended from a belt or the like involves a tab as 7. This tab is made for example from a necessary length of leather folded or doubled on itself to present a loop and having two sets of registering perforations 8 which receive the rivets 4, one portion of the tab, as will be clear, lying flatwise against the flat face of the block 3 and the other portion of the tab being superimposed upon the complementary part. After the tab is in assembled relation with the rivets 4, the rectangular washer is applied by passing the integral rivets 4 through the perforations 6 at which point the rivets are headed over so as to firmly and substantially clamp the parts. The free end of the tab 7 may have an eye 9 to re-

ceive the supporting hook 10, the hook being adapted to engage the belt or other proper part.

There is a decided advantage in providing a plurality of projections, studs or rivets as 4 projecting from a block as 3, in that when the rivets extend through a tab as 7, the latter is effectually prevented from wobbling or having side motion, an objection to the present structure. It is also an advantage that the heads of the said projections or rivets should be spun over, and this I am enabled to do by providing a plurality of such projections or rivets. By having several of them I can head them over in an effective and accurate manner, and thus securely retain the plate, washer or equivalent part 5 in proper position as well as assuring the same result with the tab 7.

It will be noticed that the projections, rivets or studs 4 are in line transversely of the scabbard. This in itself is a quite desirable way of accomplishing the object I wish. It effectually provides a means for positively preventing lateral motion of the tab 7. It will be also observed that these projections or rivets 4 are spaced a greater distance than the interval between either of them and the end of the block. By virtue of this point I can easily enter a dressing

to insure the smoothing of the outer surface of the block.

What I claim is:

A scabbard provided with a metallic upper portion and also provided with an approximately rectangular block, the inner surface of which is curved to conform to the external surface of the metallic upper portion of the scabbard, the block having a flat outer face and also having a plurality of rivets extending rigidly from said flat face, the rivets being in alinement transversely of the scabbard and the distance between them being greater than the distance between either rivet and the end of the block, a tab doubled on itself and fitted against the outer face of the block, the branches of the tab having transverse perforations to receive the respective rivets, and a plate fitted against the doubled over portion of the tab and having perforations in alinement transversely of the scabbard to receive the respective rivets, the latter being headed over the plate.

In testimony whereof I affix my signature in the presence of two witnesses.

HIRAM PERCY MAXIM.

Witnesses:

M. A. FAHEY,
W. H. HAYSLEER.